



ADTECH
Analog-Digital Technology, Inc.

The Adtech Model ASM 54 Adder Subtractor Module provides an accurate and economical means of adding and/or subtracting up to four process signal inputs to provide a single process signal output representing the sum and/or difference of the inputs.

A unique standard feature of each of the four inputs provides an individual input scaling factor of 0 to 1.25 for normalizing transducer factors.

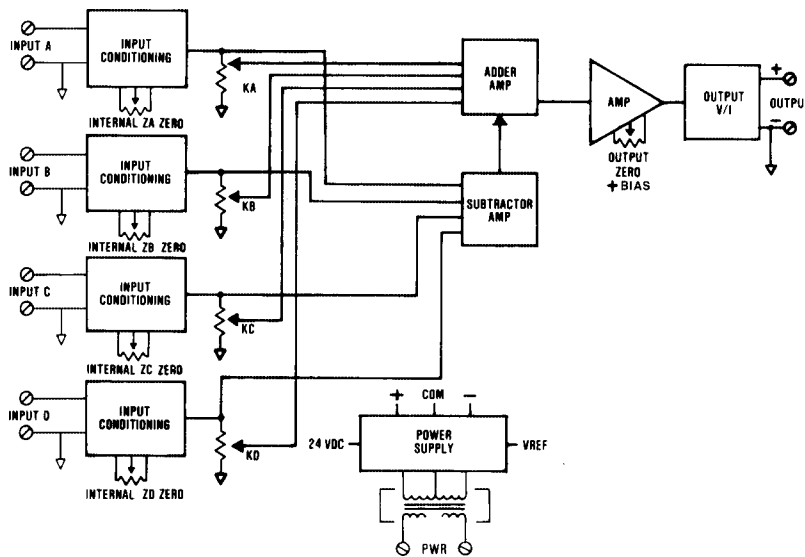
The output bias is adjustable from 0-50% of full scale.

An exclusive standard feature of the ASM 54 is its loss of input protection. Any input signal loss is treated as a zero value, not a negative value, to provide the highest security. Another exclusive feature eliminates the need to change any internal components or wiring when converting any of the four inputs from an adding or subtracting mode.

The position of potentiometers KA through KD determines the magnitude and (+) or (-) coefficients for each input as shown in the block diagram below.

The ASM 54 provides standard process current or voltage signals on the output with a maximum of 10 mV P/P output ripple. It offers a convenient way of interfacing the SUM or difference of signals to a computer system or other process instrumentation.

Recalibration to other desired ranges is accomplished easily. Temperature-stable, low-noise components provide excellent stability and noise immunity.



Features

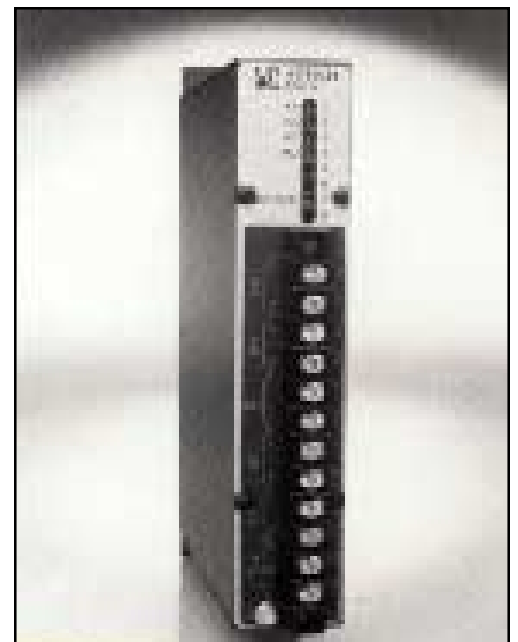
- **Equation:** $Output = \pm K_a A \pm K_b B \pm K_c C \pm K_d D$
- **Adds or Subtracts:** Any combination
- **Two-to-Four Inputs**
- **Scaling Adjustment/Range:** 0.0 to ± 1.25 for all four inputs;
0 to 0.5 output zero offset
- **Single K Factor Potentiometer Adds or Subtracts on Each Input**
- **Loss of Input Protection:** Input signal loss treated as zero, not as a negative value
- **DC Inputs:** 4-20 mA, 1-5 VDC, etc.
- **Repeatability:** $\pm 0.02\%$ of span
- **High Accuracy:** ± 0.1 1% of span

Adder Subtractor Module

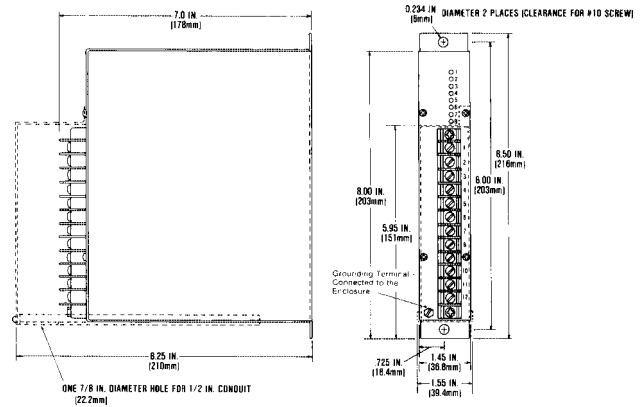
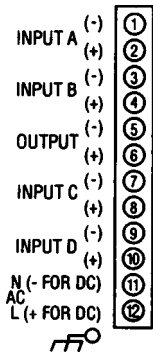
Model No. ASM 54

Typical Applications

- Total flow computation
- Net energy consumption
- Electric power summation
- Total heat load (BTU's)
- Equation computation



Connections/Dimensions



Input/Output

Input Signals (any mix 2, 3, or 4 inputs)

4-20 mA DC (Z in 250 ohms)
 10-50 mA DC (Z in 100 ohms)
 0-1 mA DC (Z in 5K ohms)
 0-10 mA DC V in 500 ohms)
 1-5 VDC (Z in 10 megohms)
 0-5 VDC (Z in 10 megohms)
 0- 10 VD((Z in 1 megohm)
 Other zero-based currents and voltages are available.

Output Signals/Output Drive (IRL)

	AC Power	DC Power
4-20 mA	DC 0-1,000 ohms max.	0-900 ohms max.
10-50 mA	DC 0-400 ohms max.	0-350 ohms max.
0-1 mA	DC 0-20,000 ohms max.	0-18,000 ohms max.
1-5 VDC	100k ohms min.	100k ohms min.
0-10 VDC	200k ohms min.	200k ohms min.

Performance

Calibrated Accuracy: $\pm 0.1\%$,
Linearity: $\pm 0.1\%$ maximum, $\pm 0.04\%$ typical
Repeatability: $\pm 0.05\%$ maximum
Temperature Stability: $\pm 0.01\%$ maximum, $\pm 0.004\%/^{\circ}\text{F}$ typical
Load Effect: $\pm 0.01\%$ zero to full load
Output Ripple: 10 mV P/P maximum
Response Time: 150 milliseconds
Temperature Range: 0° to 140°F (-18° to 60°C) operating; -40° to 185°F (-40° to 85°C) storage
Power Supply Effect: $\pm 0.05\%$ for a $\pm 10\%$ power variation
Note: All accuracies are given as a percentage of span.

Power

115 VAC: 50/00 Hz, 0.7 PF (Standard)
12 VDC: Isolated (Option P8)
24 VDC: Non-isolated (Option P1)
24 VDC: Isolated (Option P2)
48 VDC: Isolated (Option P3)
125 VDC: Isolated (105-140 VDC) (Option P4)
230 VAC: 50/60 Hz, 0.7 PF (Option P5)
Note: All units 3 watts maximum, and a $\pm 10\%$ power variation unless noted.

Mechanical

Electrical classification: General purpose
Connection: Barrier terminal strip (3/8 spacing, No. 6 screws)
Controls: Multiturn output zero and KA, KB, KC, & KD controls; internal ZA, ZB, ZC, ZD controls
Mounting: Surface mounting standard. See Housings Section for Options.
Weight: New unit: 2.6 Pounds (1.18 kilograms); Shipping: 3.0 pounds (1.36 kilograms)

Options

Option Number	Description
I 18	Low impedance DC current inputs (1/10 standard)
O 10	Bipolar current (larger than ± 1 mA)
O 11	Bipolar voltage output to ± 10 VDC: at 1 mA, bipolar current ± 1 mA
H 10	Thin-line conduit mounting plate and terminal cover
H 13B, H 14B, H 15B	NEMA 4, 7, & 12 enclosures
H 16	PFA 12 high-density, plug-in enclosure

Ordering Information

- Model number
- Input signals
- Number of inputs
- Equation and scaling factors
- Output signal
- Prime power with option no.
- Input/output options
- Housing and miscellaneous options

Please refer to the Housing and/or Option Section for more specific and detailed information.

Represented by:



Analog-Digital Technology, Inc.
 3750 Monroe Avenue
 Pittsford, New York 14534-1302

Phone: (716) 383-8280
 Fax: (716) 383-8386
 E Mail: adtech@adtech-inst.com
 Web site: <http://www.adtech-inst.com>

Information subject to change without notice.